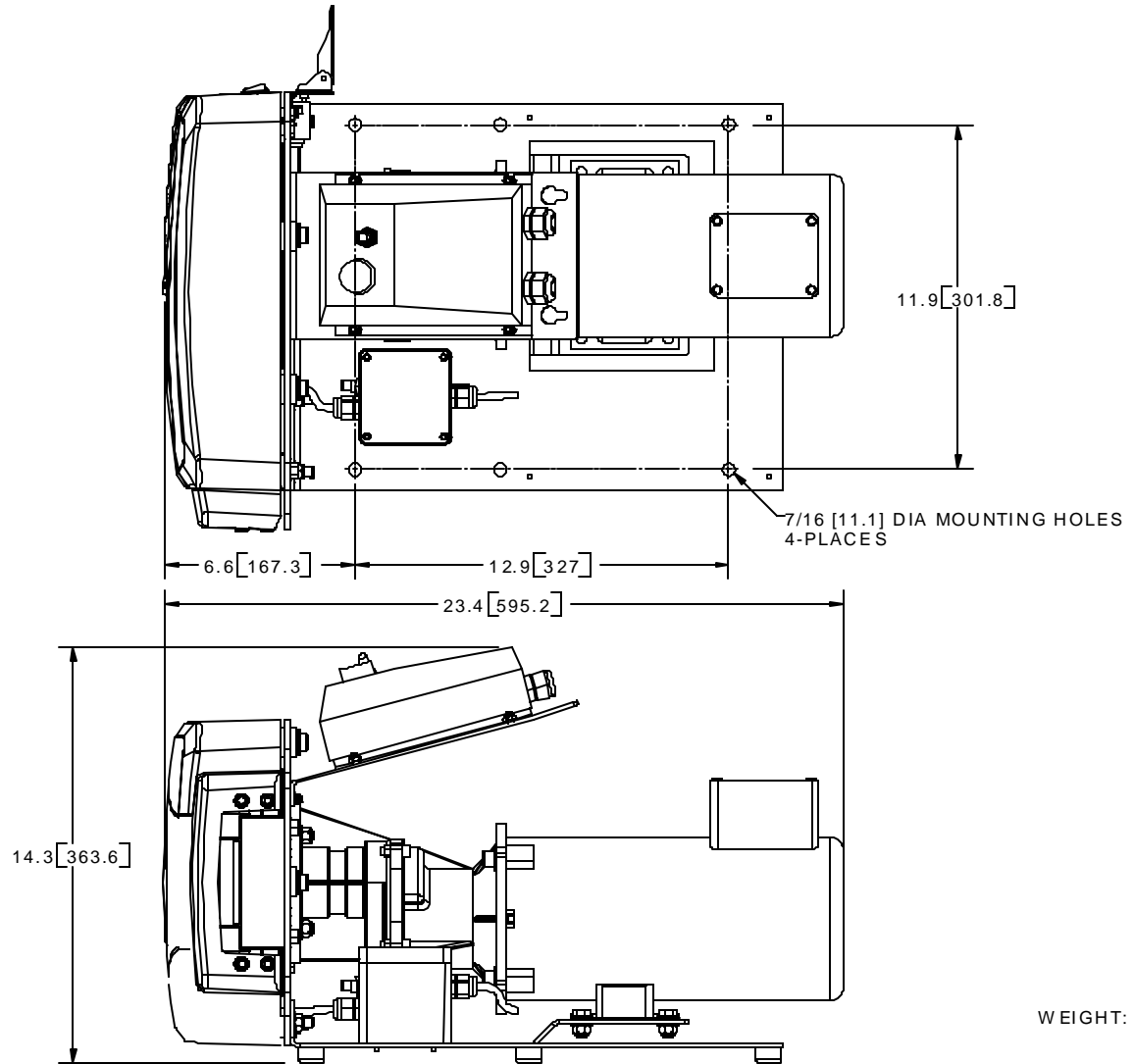
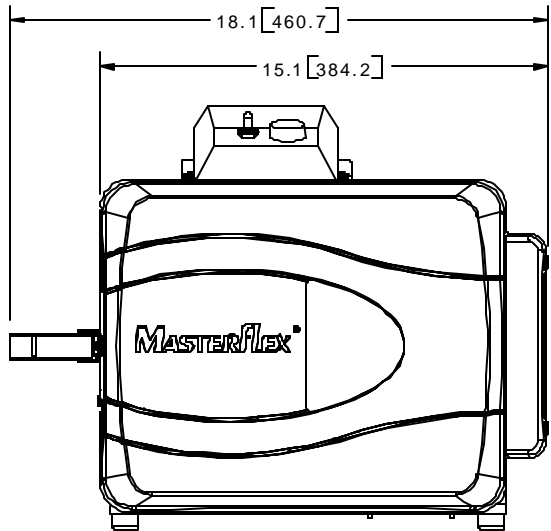


V.A.R. MODEL NUMBERS
 940-1610
 940-1615



WEIGHT: 92 LBS
 42 Kg

<small>THESE DIMENSIONS SHALL BE MAINTAINED UNLESS OTHERWISE SPECIFIED. THE USER SHALL BE RESPONSIBLE FOR THE PROPER USE OF THIS DRAWING. THE USER SHALL BE RESPONSIBLE FOR THE PROPER USE OF THIS DRAWING.</small>				Bar nant <small>800 West 10th Street, Suite 100, Ankeny, IA 50021 Bar nant Inc. 515.961.8233 515.961.8173</small>	
<small>DATE: 03/08/06</small>				<small>SCALE: 1:2</small>	
<small>DESIGNED BY: KDM</small>				<small>CERTIFICATION OF CONFORMITY: <input type="checkbox"/> MATERIAL <input type="checkbox"/> FINISH <input type="checkbox"/> SOURCE</small>	
<small>CHECKED BY: SLB</small>				<small>PART NAME: OUTLINE DRWG 940-1610 & -1615</small>	
<small>APPROVED BY: SLB</small>				<small>DRAWING NUMBER: 108441</small>	
<small>REV: A</small>		<small>DESCRIPTION: RELEASE FOR PRODUCTION</small>		<small>ECN/REV: 07/20/06</small>	
<small>REV: 1</small>		<small>DESCRIPTION:</small>		<small>ECN/REV: 07/20/06</small>	