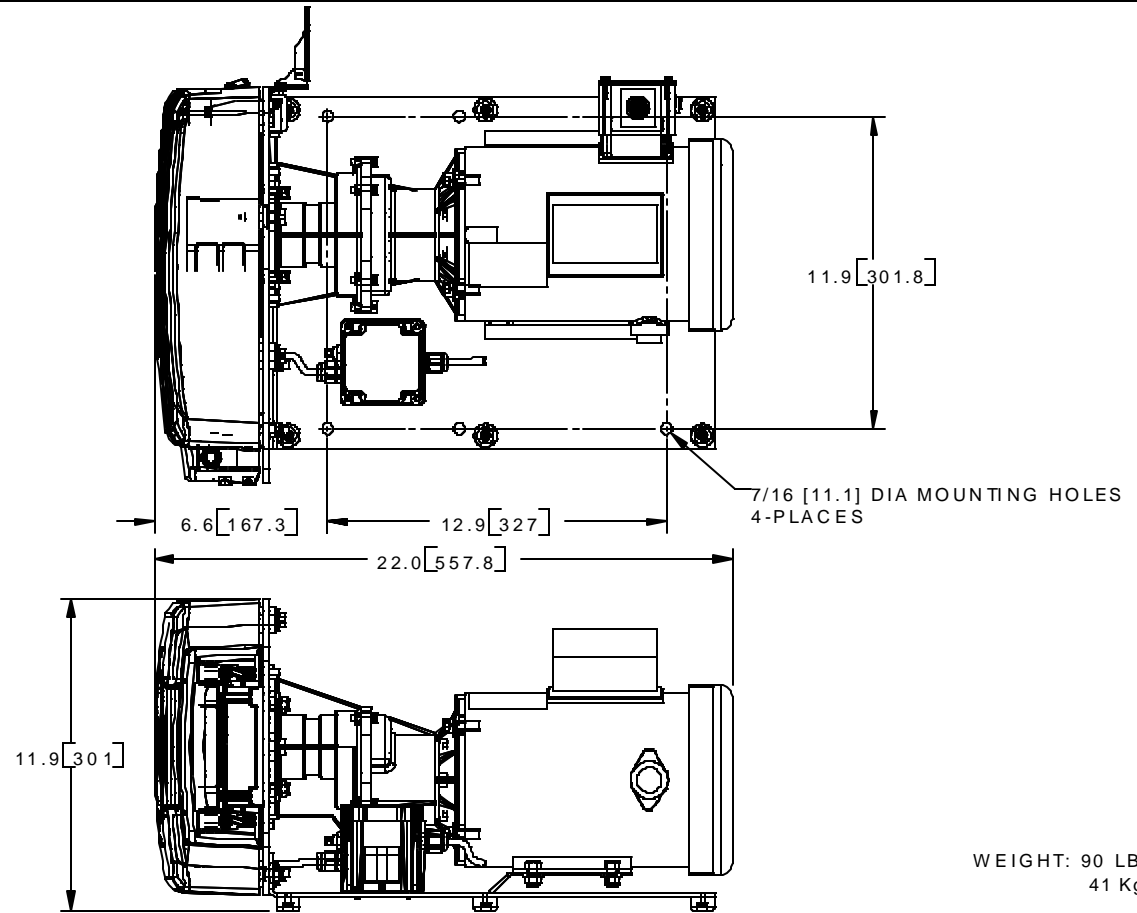
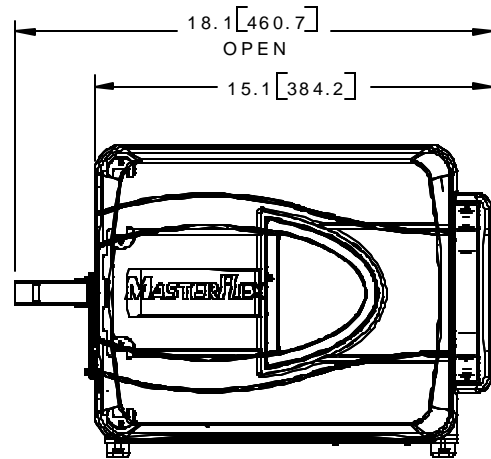


V.A.R. MODEL NUMBERS

940-1625

940-1815



WEIGHT: 90 LBS  
41 Kg

THESE COMMODITIES, TECHNOLOGY OR SOFTWARE IF EXPORTED FROM THE UNITED STATES WILL BE DONE SO IN ACCORDANCE WITH EXPORT ADMINISTRATION REGULATIONS DIVER SION CONTRARY TO U.S. LAW PROHIBITED.

THE INFORMATION CONTAINED IN THIS DRAWING IS THE SOLE PROPERTY OF THE BARNANT COMPANY. ANY REPRODUCTION IN PART OR WHOLE WITHOUT THE WRITTEN PERMISSION OF THE BARNANT COMPANY IS PROHIBITED.

DATE DRAWN: 07/11/06	<p><b>Barnant</b> Barnant Company, 28 W092 Commercial Avenue Barrington, Illinois 60010-2392 (847)-381-7050</p>
DRAWN: KDM	
CHECKED BY: SLB	MATERIAL: NA
APPROVED BY: SLB	CERTIFICATION OF CONFORMITY/ COMPLIANCE REQUIRED <input type="checkbox"/> MATERIAL <input type="checkbox"/> FINISH <input type="checkbox"/> SOURCE CONTROLLED

A	RELEASE FOR PRODUCTION.	PRM 2250D	07/20/06			SCALE: 1:4	PART NAME: <b>OUTLINE DRAWING 940-1625 &amp; -1815</b>
REV	DESCRIPTION	ECN/ PRM	DATE	PART No.	PROCESS/FINISH/ MODEL No.	DONOT SCALED DRAWING	<b>B</b> SHEET <u>1</u> of <u>1</u> DRAWING NUMBER: <b>108464</b>